

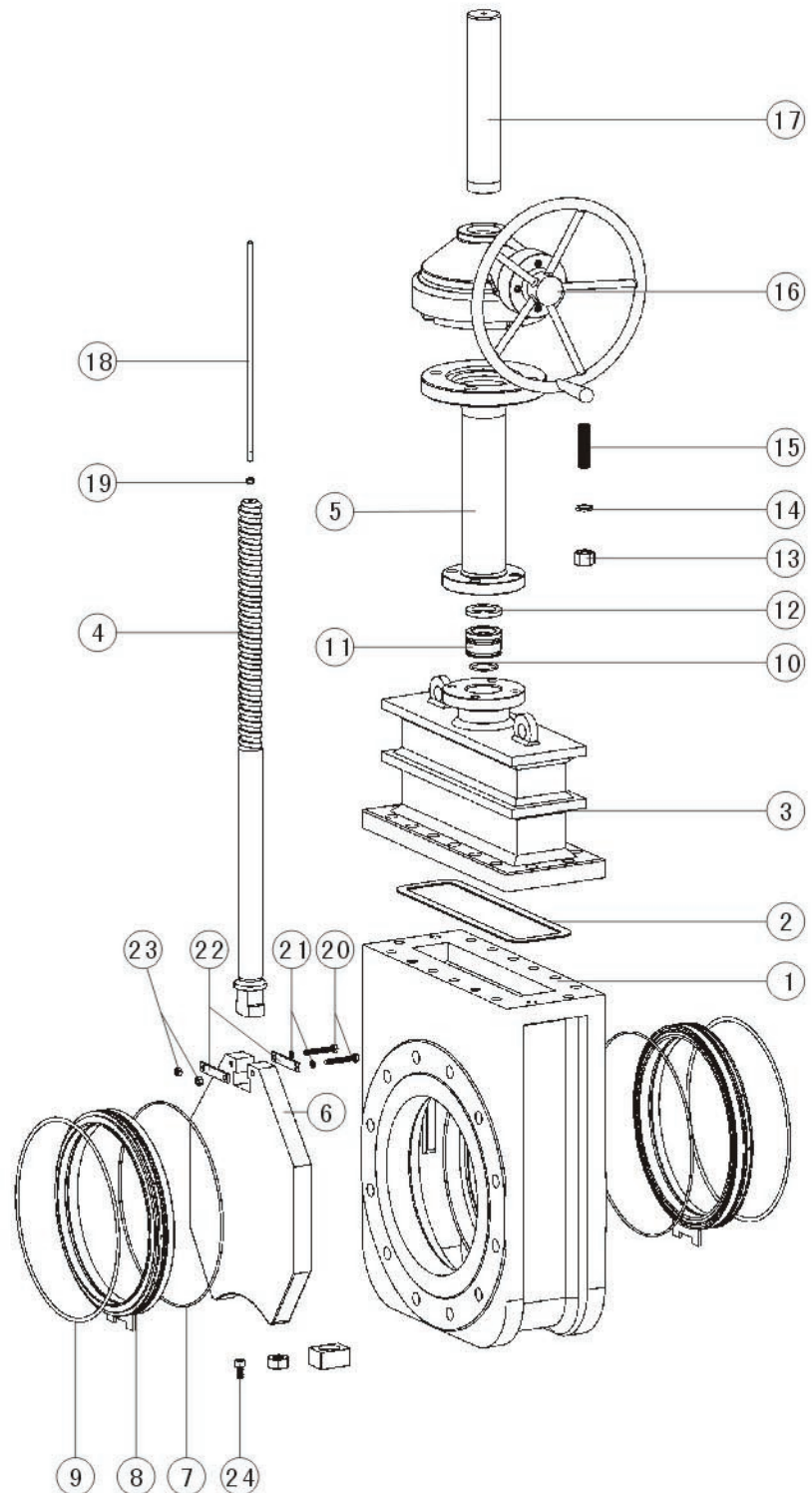
# Light Slab Gate Valve



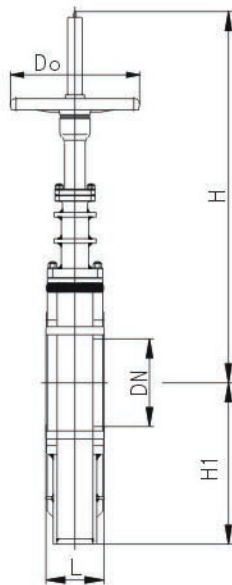
## ■ Brief Description

BTL light slab gate valve is suitable for installation near storage tank or at high altitude. The fully welded body and bonnet results in light weight, the most optimum design is achieved by finite element analysis. It is of the basic features of the ordinary full opening slab gate valve, but its weight is only one-third of the latter. This unique design can reduce the loads of pipeline, and consequently prevents pipeline from sinking, meanwhile minimizes the adverse influence of foundation changes against pipeline and facilities

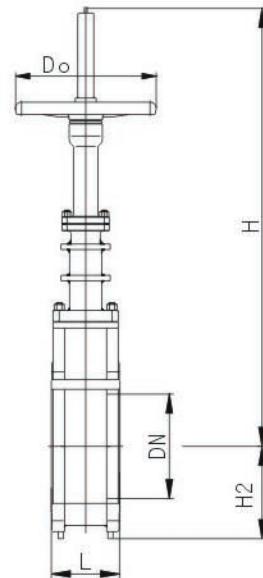
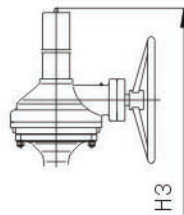
Item	Valve Parts
1	Body
2	Wound Gasket
3	Bonnet
4	Stem
5	Yoke
6	Gate
7	Seat
8	Seat Retainer
9	O-Ring
10	O-Ring
11	Gland
12	Packing
13	Hex Nut
14	Elastic Washer
15	Bolt
16	Bolt
17	Stem Enclosure
18	Stem Indicator
19	Locking Nut
20	Bolt
21	Elastic Washer
23	Hex Nut
24	Hex Screw



# Light Slab Gate Valve



With Diversion Hole



Without Diversion Hole

## Outline Dimension & Weight of Light Slab Gate Valve

PN1.0MPa PN1.6MPa PN2.5MPa API 6D 150Lb									
NPS	D	L	H	H1	H2	H3	Do	Weight (with Diversion Hole)	Weight (without Diversion Hole)
4	100	127	712	257	128	—	250	85	70
5	125	140	820	278	138	—	250	120	100
6	150	140	894	339	168	—	250	145	120
8	201	152	1074	432	185	1104	300	250	210
10	252	165	1277	498	206	1326	350	290	240
12	303	178	1505	570	233	1563	350	410	340
14	334	190	1705	640	256	1784	400	515	430
16	385	216	1835	710	292	1900	450	715	580
18	436	222	2037	800	330	2097	—	730	600
20	487	229	2265	877	370	2315	—	840	700
22	538	267	2500	960	382	2578	—	960	800
24	589	267	2730	1030	446	2815	—	1190	980
26	633	292	3040	1110	485	3100	—	1440	1200
28	684	292	3090	1190	525	3150	—	1655	1380
30	735	318	3500	1260	560	3600	—	2690	2240
32	779	318	3680	1340	594	3795	—	3120	2600
34	830	330	4000	1420	625	4135	—	3710	3090
36	874	330	4230	1490	660	4328	—	4200	3500
38	925	410	4460	1570	711	4585	—	4765	3970
40	976	410	4700	1650	762	4800	—	4945	4120
42	1020	410	4950	1730	816	5070	—	6045	5035
48	1166	470	5670	1950	883	5785	—	7655	6380
54	1312	530	6580	2290	1024	6735	—	8640	7200
60	1458	600	7100	2410	1083	7245	—	11760	9800